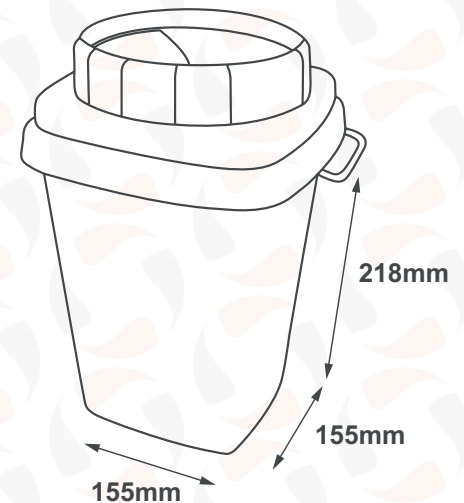


## What is the SAFELOC<sup>™</sup> 2 Ltr.?

The SAFELOC<sup>™</sup> 2 Ltr. Sharps Bin is a disposable container for sharp and cutting objects disposal. This item designed for frequent use (Hospitals, Healthcare Centres, Clinics).

<b>Material:</b>	Plastic material 100% virgin polypropylene
<b>Colour:</b>	Yellow Body and Yellow Lid. Coloured with materbatch without any heavy metals and cadmium.
<b>Thickness:</b>	1.9 mm
<b>Weight:</b>	107g
<b>Shape:</b>	Square Base
<b>Max Load:</b>	243g
<b>Nominal Capacity:</b>	2 Ltr.
<b>Real Capacity:</b>	2.4 Ltr.
<b>Usable Capacity:</b>	1.93 Ltr.
<b>External Dimensions (mm):</b>	155 (w) x 155 (d) x 218 (h) (Lid Assembled)



## Logistics

<b>Pcs per Carton:</b>	20
<b>Carton Dimensions (mm):</b>	375 (w) x 370 (d) x 308 (h)
<b>Carton Weight:</b>	5.3kg

## Certifications

Compliant to AFNOR NF X-30-500 – Dossier B100997 – Form CLE/11  
 NF Mark 302 – 04/01/01-06  
 Quality certification NF  
 Kite Mark - Compliance to BS.EN.ISO.23907  
 Compliant to ADR - UN certificate N. J020466/11  
 Autoclavable at 134° for 18 minutes - Test report by E012976 CEMATE/6

## Benefits of the SAFELOC<sup>™</sup> 2 Ltr.

- Simple and practical spring closure device
- Easy to handle temporary closure
- Insulin pen removal device
- Irreversible permanent closure
- Maximum filling level indicated
- Fixed handle to ease transport
- To be disposed through incineration, releasing non-toxic emissions
- Autoclavable.

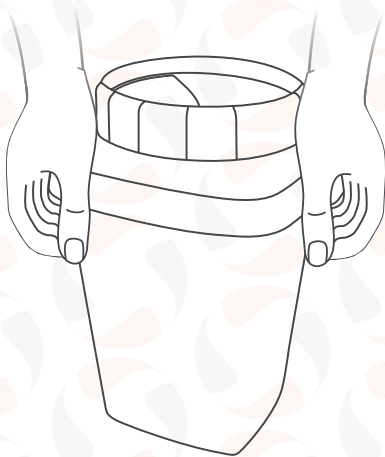
## Safety Information

- Use product only with lid provided
- Do not use the product before fitting the lid
- Do not attempt to recover objects already in the container
- Respect the filling level indicator (which is 80% of real capacity)
- Do not try and open the container once permanently and irreversibly closed
- Dispose according to existing law
- Containers are resistant to penetration of sharps objects in accordance with BS.EN.ISO.23907.

## How to use the SAFELOC<sup>TM</sup> 2 Ltr.

### Lid Assembly:

Put the lid on the body and press first the opposing corners then opposing sides. A click will be heard at each pressure point signalling the closure of the lid.



### Use:

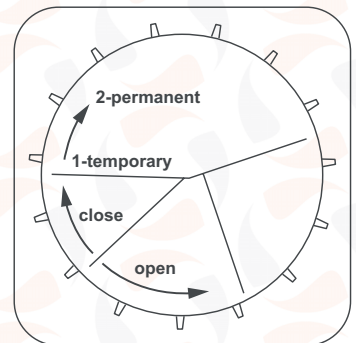
Turn the movable part of the lid anti-clockwise, opening it according to the size of the object to dispose. Close the container permanently once full, by positioning the lid to the permanent closure stage (second click).

### Temporary Closure:

Turn the lid until it clicks once. At this stage closure is temporary.

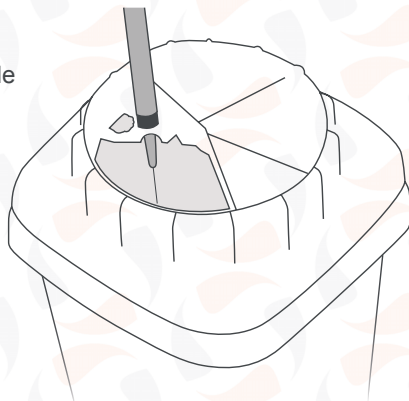
### Permanent Closure:

Turn the lid until it clicks again. At this stage closure is permanent.



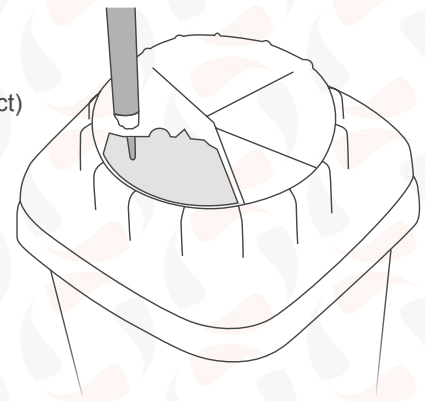
### Needles removal:

Use the 'V' removal device to separate needle and syringe to remove the needle.



### Insulin Pen removal:

Use the 'marguerite' device and pull the pen bottom up (leverage effect) before unscrewing.



### Opening for waste insertion:

Large opening in order to ease the insertion of needles, scalpels, test tubes etc.

### Autoclave:

Suitable to autoclave at 134° for 18 min

### Disposal:

Once filled, the containers have to be disposed through incineration releasing non-toxic emissions.

