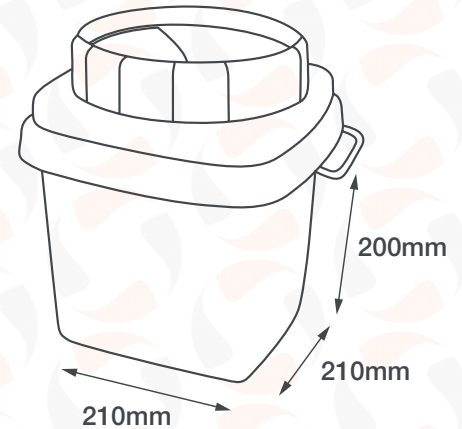


What is the SAFELOC[™] 5 Ltr.?

The SAFELOC[™] 5 Ltr. Sharps Bin is a disposable container for sharp and cutting objects disposal. Item designed for high volumes (Hospitals, Healthcare Centres, Clinics)

| | |
|----------------------------------|--|
| Material: | Plastic material 100% virgin polypropylene |
| Colour: | Yellow Body and Yellow Lid. Coloured with materbatch without any heavy metals and cadmium. |
| Thickness: | 1.9mm |
| Weight: | 360g |
| Shape: | Square Base |
| Nominal Capacity: | 5 Ltr. |
| Real Capacity: | 4.97 Ltr. |
| Usable Capacity: | 4.0 Ltr. |
| External Dimensions (mm): | 210 (w) x 210 (d) x 200 (h) (Lid Assembled) |



Logistics

| | |
|--------------------------------|-----------------------------|
| Pcs per Carton: | 17 |
| Carton Dimensions (mm): | 390 (w) x 370 (d) x 475 (h) |
| Carton Weight: | 7.1kg |

Certifications

Compliant to AFNOR NF X-30-500 – Dossier B100997 – Form CLE/11
 NF Mark 302 – 04/01/01-06
 Quality certification NF
 Kite Mark - Compliance to BS.EN.ISO.23907
 Compliant to ADR - UN certificate N. J020466/11
 Autoclavable at 134° for 18 minutes - Test report by E012976 CEMATE/6

Benefits of the SAFELOC[™] 5 Ltr.

- Simple and practical spring closure device
- Easy to handle temporary closure to use one handed
- Insulin pen removal device
- Irreversible permanent closure
- Maximum filling level indicated
- Handles to ease transport
- To be disposed through incineration, releasing non-toxic emissions
- Autoclavable.

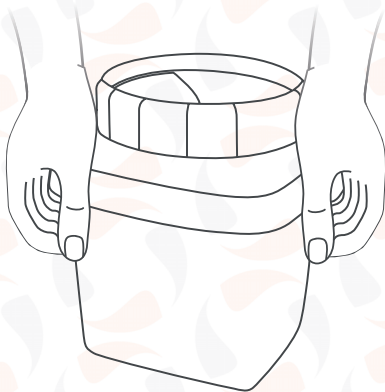
Safety Information

- Use product only with lid provided
- Do not use the product before fitting the lid
- Do not attempt to recover objects already in the container
- Respect the filling level indicator (which is 80% of real capacity)
- Do not try and open the container once permanently and irreversibly closed
- Dispose according to existing law
- Containers are resistant to penetration of sharps objects in accordance with BS.EN.ISO.23907.

How to use the SAFELOC[™] 5 Ltr.

Lid Assembly:

Put the lid on the body and press first the opposing corners then opposing sides. A click will be heard at each pressure point signalling the closure of the lid.



Use:

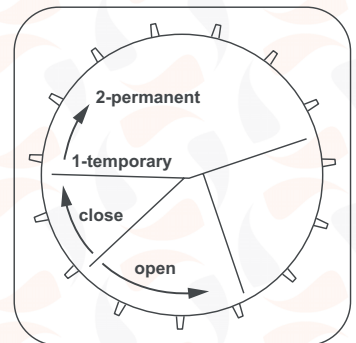
Turn the movable part of the lid anti-clockwise, opening it according to the size of the object to dispose. Close the container permanently once full, by positioning the lid to the permanent closure stage (second click).

Temporary Closure:

Turn the lid until it clicks once. At this stage closure is temporary.

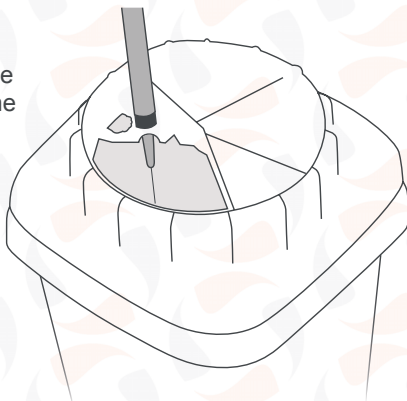
Permanent Closure:

Turn the lid until it clicks again. At this stage closure is permanent.



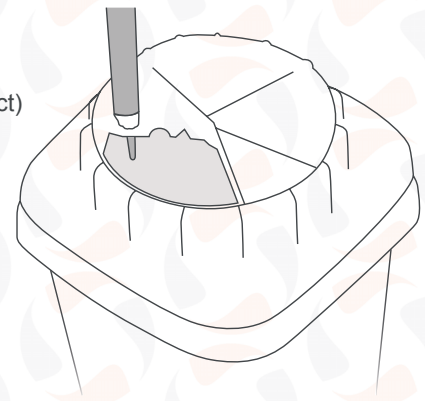
Needles removal:

Use the 'V' removal device to separate needle and syringe to remove the drawing needle.



Insulin Pen removal:

Use the 'marguerite' device and pull the pen bottom up (leverage effect) before unscrewing.



Opening for waste insertion:

Large in order to ease the insertion of needles, scalpels, test tubes etc.

Autoclave:

Suitable to autoclave at 134° for 18 min (LNE certificate on request)

Disposal:

Once filled, the containers have to be disposed through incineration releasing non-toxic emissions

