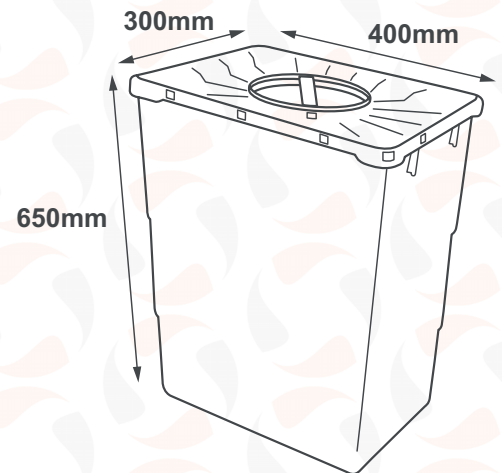


What is the SAFELOC[™] 60 Ltr.?

The SAFELOC[™] 60 Ltr. Sharps Bin is a disposable container for the disposal of clinical and sharps waste. Designed for upright use to ease disposal of long instruments. Solid and shock resistant at both high and low temperature, the container guarantees an hermetic seal by means of the peripheral adhesive on the double lid.

Material:	Plastic material 100% virgin polypropylene
Colour:	Yellow Body and 2-Part Lid. Coloured with Masterbatch without any heavy metals and cadmium.
Thickness:	1.9 mm
Weight:	1.85 kg
Shape:	Square Base
Nominal Capacity:	60 Ltr.
Real Capacity:	59.95 Ltr.
Usable Capacity:	55.0 Ltr.
External Dimensions (mm):	400 (w) x 300 (d) x 650 (h)



Logistics

Pcs per Carton:	1 (with 2 Part Lid Un-Assembled)
Carton Dimensions:	Not Packaged
Product Weight:	1.85kg

Certifications

Compliant to AFNOR NF X-30-500 – Dossier B100997 – Form CLE/11
 NF Mark 302 – 04/01/01-06
 Quality certification NF
 Kite Mark - Compliance to BS.EN.ISO.23907
 Compliant to ADR - UN certificate N. J020466/11
 Autoclavable at 134° for 18 minutes - Test report by E012976 CEMATE/6

Benefits of the SAFELOC[™] 60 Ltr.

- Lateral and central handles tested for twice the max weight
- Stacking up to a maximum of 3 m with full load
- Solidity and resistance against shock at both low and high temperatures
- Hermetic seal by means of the peripheral adhesive of the lid
- High perforation resistance
- Double lid ideal for the disposal of cyto-toxic waste
- Maximum filling level indicator
- No emission of harmful gasses during the incineration process

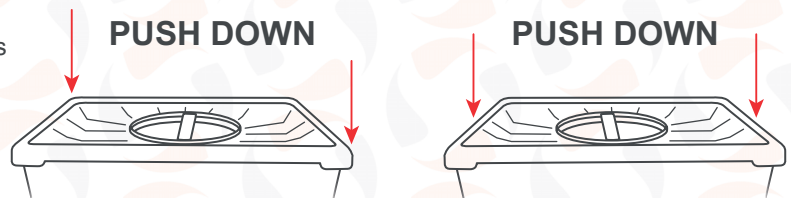
Safety Information

- Use product only with lid provided
- Do not use the product before fitting the lid
- Do not attempt to recover objects already in the container
- Respect the filling level indicator (which is 80% of real capacity)
- Do not try and open the container once permanently and irreversibly closed
- Dispose according to existing law
- Containers are resistant to penetration of sharps objects in accordance with BS.EN.ISO.23907.

How to use the SAFELOCTM 60 Ltr.

Lid Assembly Outer:

Put the lid on the body and press first the opposing corners then opposing sides. A click will be heard at each pressure point signalling the closure of the outer lid.

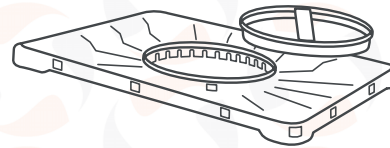


Use:

Lid can be used in two ways. Either as a solid lid with the inner inserted and locked or as a combination lid with outer fitted and inner re-closable ideal for cyto-toxic waste disposal. Once outer is fitted to body it is irreversible.

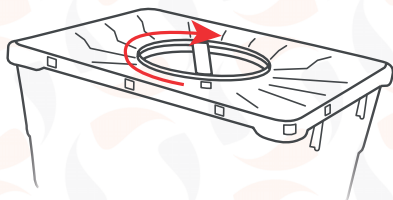
Lid Assembly Inner:

Turn the lid until it stops. At this stage closure is temporary. The lid inner can be assembled to locked position for a convenient handle for the outer lid.



Temporary Closure:

Insert plug into lid in alignment with open lock positions. Turn plug clockwise until a physical stop is reached. This is the temporary close position. Turn anti-clockwise to re-open.



Permanent Closure:

Insert plug into lid in alignment with close lock positions. Press plug down firmly by the handle with hand until it locks into place. Bin is now permanently locked.

