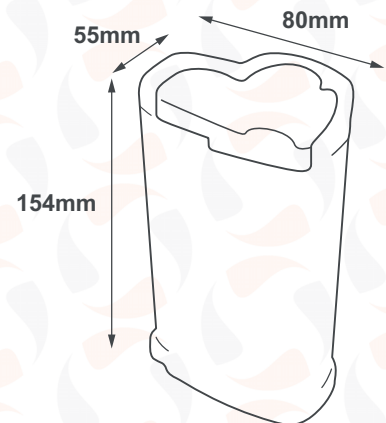


What is the SAFELOC[™] 0,35 Ltr.?

The SAFELOC[™] 0,35Ltr is a high quality personal black needle exchange container with a temporary opening and final closure for the disposal of needles, syringes and other sharp objects. This container has been specifically designed for use by clients in the Harm Reduction market.

| | |
|----------------------------------|---|
| Material: | Ecological plastic material, polypropylene copolymer coloured with Masterbatches without heavy metals or cadmium. |
| Colour: | Black |
| Thickness: | Overall 2.5mm |
| Weight: | 68g |
| Normal Capacity: | 0.35 Ltr. |
| Real Capacity: | 0.3 Ltr. |
| Usable Capacity: | 0.31 Ltr. |
| External Dimensions (mm): | 80(w) x 55(d) x 154(h) |



Logistics

| | |
|--------------------------------|--------------------------|
| Pcs per Carton: | 70pcs |
| Carton Dimensions (mm): | 385(w) x 373(d) x 311(h) |
| Carton Weight: | 5.35kg |

Certifications

Kite Mark - Compliance to BS.EN.ISO 23907:2012
Compliant to UN3291 - UN certificate UN/3H1/Y1/S/18/GB/6873

Benefits of the SAFELOC[™] 0,35 Ltr.

- Safe closure, easy to use and handle
- Sharps and cutting edge resistant
- Accepts 1ml, 2ml and 5ml Syringes
- Non-Return 'Petal' Aperture
- Irreversible permanent closure
- To be disposed of safely at Pharmacies or Drug Projects
- Large base allows for improved stability
- Excellent temporary closure ensuring no spillage of needles
- Capable of holding 20 x 1ml Insulin Needle & Syringe.
- Capable of holding 10 x 2ml Syringe with attached Hypodermic Needle.

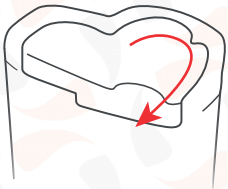
How to use the SAFELOCTM 0,35 Ltr.

Opening:

The containers are sold with body and lid assembled.

To open 'Slide' as shown.

SLIDE TO OPEN



Temporary Closure:

Slide swivel lid as shown. Bin now closed in a temporary position.

At this stage the cap can be re-opened by moving it back in the opposite direction.

SLIDE TO CLOSE



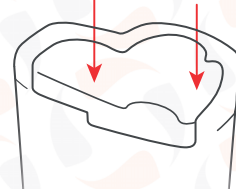
Permanent Closure:

From the temporary closure position, firmly press down on the positions shown until it clicks.

At this stage closure is permanent.

Instructions also present on label.

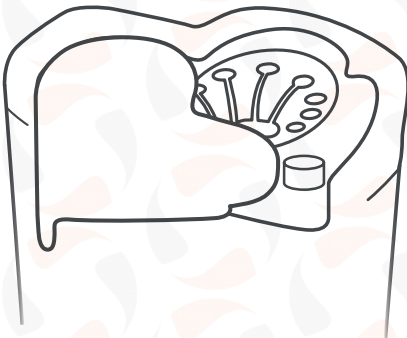
PUSH DOWN



Use:

During use, open the cap and close temporarily when not in use.

Close permanently when full (Fill line indicated on label).



Safe Disposal:

Integrated 'Petal' aperture means syringes cannot be removed once fully inserted.

Safe disposal of syringe and needle up to 5ml syringes.

Needles and syringes inserted sharps side down meaning safe even when turned upside down.

Container provided with one non return 'Petal' opening.

Once filled, the container must be disposed of through incineration, releasing non-toxic emissions.