

What is the SAFELOC[™] one?

The SAFELOC[™] one is a single use needle exchange container that offers safe disposal of a 1ml insulin all-in-one needle and syringe after use. The SAFELOC[™] one is small and very easy to use and produces an audible click when the insulin is locked securely in place.

The Insulin when fully inserted into the SAFELOC[™] one is locked into place whilst at the same time the needle is rendered unusable.

Once the syringe is full and locked, it is a safe to carry in a trouser or shirt pocket, in a small bag or in your hands without the fear of a needle stick injury.

Once locked in place, even if left in the community anyone picking this up would be safe and could clearly see that a syringe was inside, therefore the risk of an accidental needle stick injury would be significantly reduced.

This piece of equipment directly eliminates accidental sharing and risks of BBV transmission.

Logistics

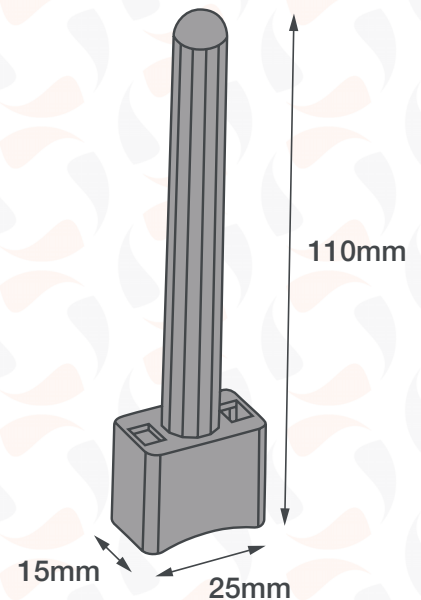
Pcs per Carton:	500pcs
Carton Dimensions (mm):	315(w) x 280(d) x 210(h)
Carton Weight:	4.2kg

Benefits of the SAFELOC[™] one

- Easy to use
- Easy to carry safely
- Easy to dispose of
- Destroys needle on insertion
- Locks the used insulin in place
- Allows for safe handling by anyone
- Increase in returns
- Increased use of containers
- Reduces waste
- Reduces costs
- Improves value for money
- Reduces Drug litter.

Safety Information

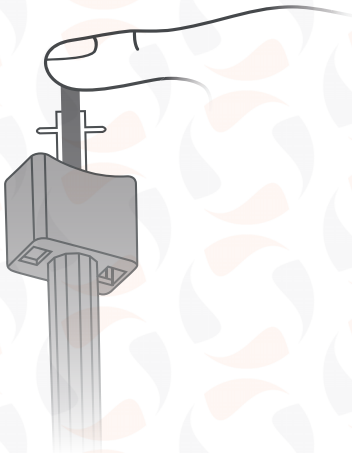
- Makes a used insulin safe to carry and hold
- Significantly reduces the chance of a needle stick injury
- Can be disposed of easily and safely in a sharp's container as small as 1Ltr in size
- Ensure the insulin is fully clicked in to render the needle unusable
- Independently tested and approved to BS EN ISO 23907 for penetration resistance.



How to use the SAFELOCTM one

After using a syringe, use the SAFELOCTM one for safe disposal.

- 1 Get all your equipment including your SAFELOCTM one ready in a safe place.
- 2 On completion of injection pick up the SAFELOCTM one and hold in opposite hand ready for use.
- 3 Insert the used insulin into the SAFELOCTM one and push in with your thumb or finger until you hear and feel it click and lock in place.
- 4 Once the insulin is fully locked in place, the needle will also be damaged beyond further use.



- 5 It is now safe to carry the SAFELOCTM one in your trouser or shirt pocket, in a small bag or in your hands without the fear of a needle stick injury.
- 6 Please be responsible and dispose of your SAFELOCTM one at your nearest Pharmacy or drug service.